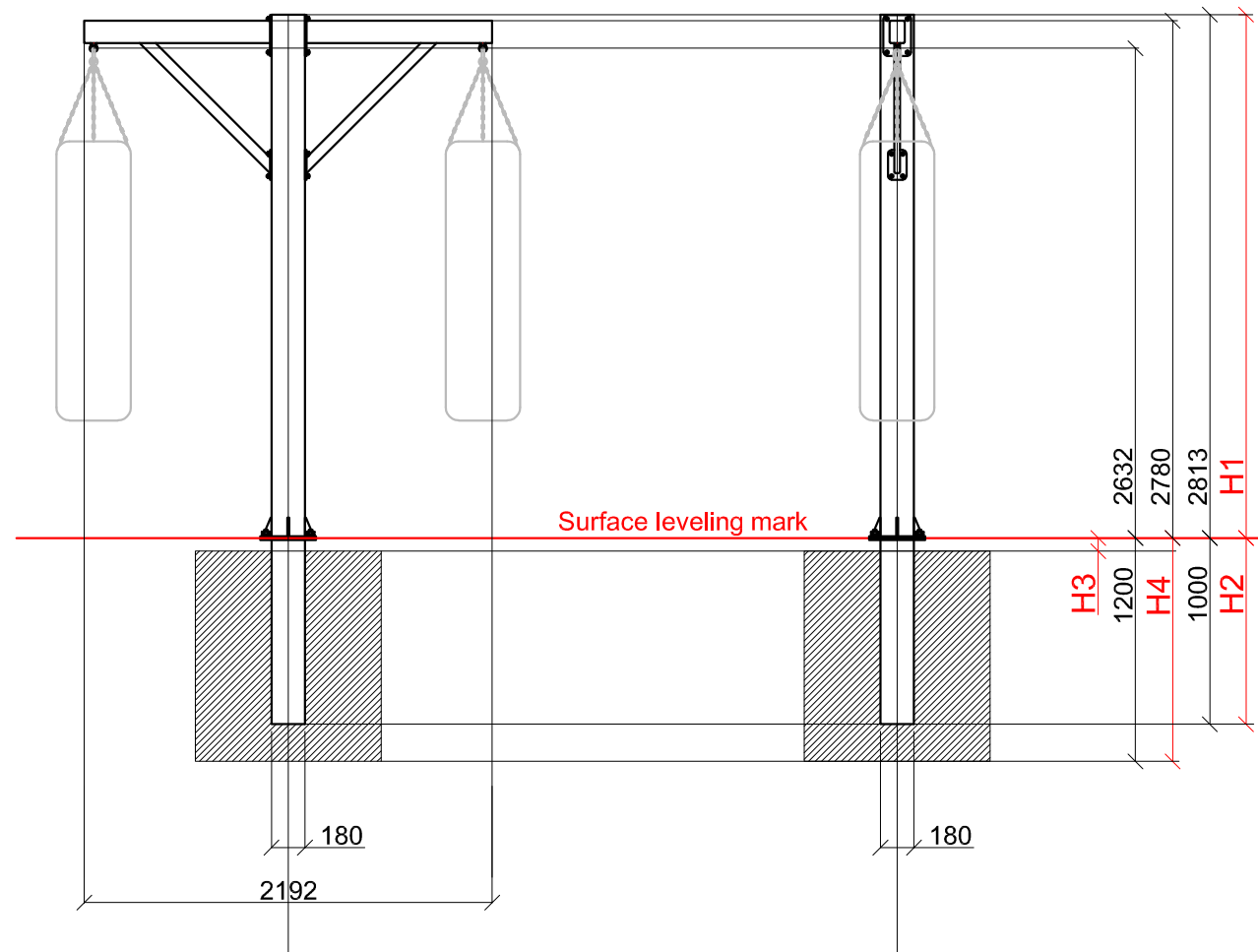
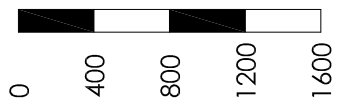
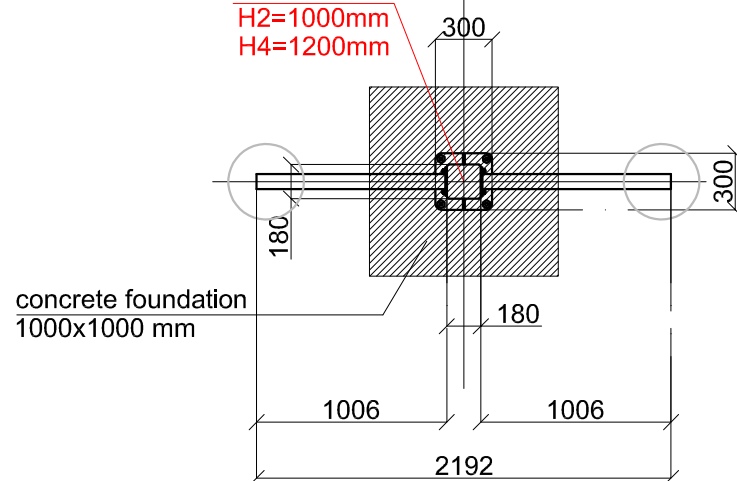


SCALE 1:40



H1=2818mm
H2=1000mm
H4=1200mm



concrete foundation
1000x1000 mm



**KENGURU
PRO**

"KENGURU PRO" LTD

Address: Lauteres street 4, Riga, Latvia, LV-1002

VAT Reg. No. 40103750152

Bank: A/S Luminor bank, SWIFT: RIKOLV2X ,

Bank Account: LV65RIKO0002930161161

e-mail: info@kengurupro.eu

www.kengurupro.eu

KENGURU double Boxing rack



The structure consists of a vertical column 2813 mm in height, two connecting profiles and two boxing bags. Height of the bag fixation rings - 2632 mm.

Installation instructions:

- Prepare the construction pit with a drilling machine or other devices.
- Before pouring the concrete all structures elements must be leveled and fixed.
- Ready-made C25 concrete should be used.
- Backboard installation height can be changed according to customer's wishes.
- Approximately 1,00 m³ concrete is needed for each spot foundation.

The size of the hole for the foundation is depending on the consistency of the ground. The dimensions mentioned above are applicable for normal conditions with firm ground. If the ground is extremely soft, a much bigger foundation is needed. Use only appropriate material and follow the installation instructions closely!!!

Technical information

width:	180 mm	
height:	2813 mm	
length:	2192 mm	
largest part:	2813 mm	
weight:	300,0 kg	
profile measurements:	size:	wall thickness:
	180x180 mm	6 mm
	120x80 mm	4 mm
	60x30 mm	3 mm
metal parts:	steel, galvanized, powder coated RAL 7016 (anthracite grey)	